

Chair Caddie B Retrofit

Action: **Designed to...turn/roll/LOCK (DIY)**

Benefits: The CADDIE enables a caregiver to move a seated person up-to and away-from the table without the need to push / pull / shove / twist

Features: DIY...A metal platform complete with 2 inline and 2 rotating casters which attaches to the base of an existing chair. One of the casters includes a foot / toe activated locking lever.

Chair *Caddie*TM

RETRO-FIT



It Rolls, It Turns



Patent Application No. 15/996,068



Attaches to ***YOUR*** dining chairs



The CHAIR CADDIE enables a seated person to be moved up-to and away-from the table with **EASE** and **SAFETY!**

- ♥ Reduces caregiver fatigue / burnout
- ♥ Provides dignity to persons with limited mobility



Watch video at www.comfortek.com/CC

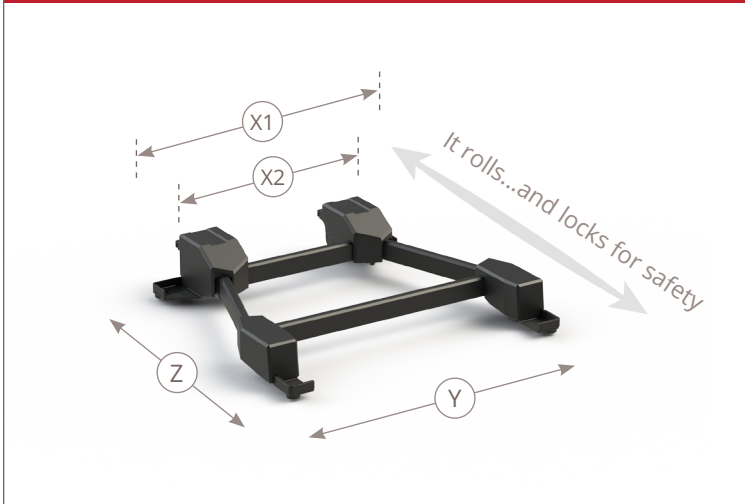
Chair *Caddie*™

RETRO-FIT



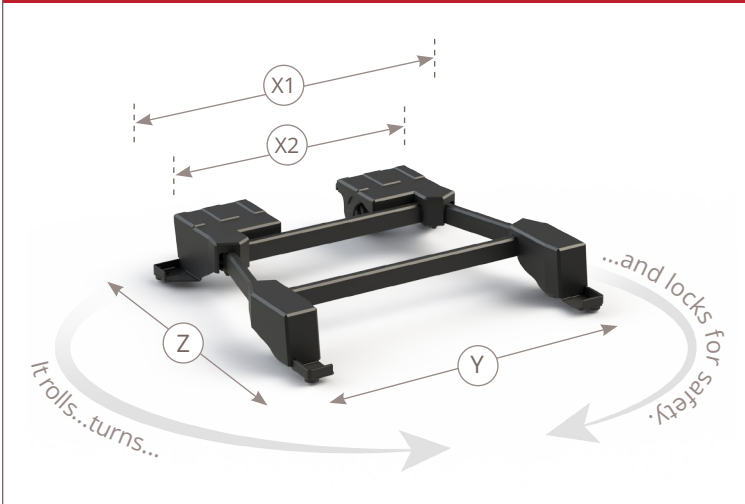
1. **Attaches to existing chairs** (wood or metal)
2. Low profile design – chair is raised $\frac{3}{4}$ " above the floor
3. Fits inside the footprint of an existing chair
4. Medical grade casters (3" / 4" Diameter)
5. Anti-tip glides
6. Front wheel tension control
7. Foot activated locking rear caster
8. Rated for 450 lbs.

MODEL A (Rolls...and LOCKS for safety)



(X1) 16" - 23"	(Y) 14 1/2" - 23"	(Z) 15 1/2" - 20 1/4"
(X2) 13 1/8" - 19 3/8"		

MODEL B (Rolls...turns...and LOCKS for safety)



(X1) 17 5/8" - 24"	(Y) 17" - 24"	(Z) 18" - 24 1/16"
(X2) 11 7/16" - 15 5/16"		



Watch video at www.comfortek.com/CCA



Watch video at www.comfortek.com/CCB

Changing the *costs culture community* of care



www.comfortek.com
1-888-678-2060